



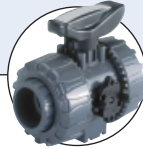
Type 3004 can be combined with...



Type 2651
2-piece St. St.
Ball valve



Type 2654
3-piece St. St.
Ball valve



Type 2657
Plastic
Ball valve



Type 2672
Metal
Butterfly valve



Type 2675
Plastic
Butterfly valve

Explosion proof rotary actuator - On/Off or programmable regulating actuator

- Direct mounting for quarter-turn valves
- Manual override standard
- Corrosion resistant
- Adjustable limit switches
- ATEX II 2 GD Ex d II B T6

The rotary actuator type 3004 is a compact, powerful and explosion proofed actuator system which provides a long service life. Materials and components have been chosen for maintenance-free operation and ensure low thermal loading on the actuator. The modular design offers many options such as extra limit switches or potentiometers, to be added to the basic unit.

Technical data

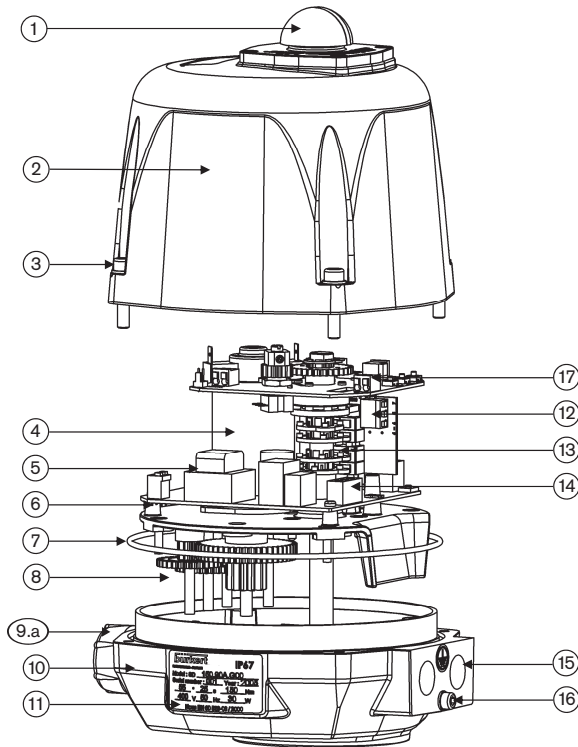
Torque	25, 45, 75, 100, 150 and 300 Nm (see ordering chart)
Angle of rotation	90° (+/- 5°)
90° rotation time	7 up to 50 s (see ordering chart)
Duty rating	At max. torque: 50% of the time Regulating actuator: 50% of max. torque
Power supply	100-240 V AC / 50-60 Hz or 24 V AC/DC Tolerance +/- 10%
Power consumption	45 W up to 85 W (see ordering chart)
Motor protection	Electronic torque limited
Electrical connection	2 cable glands ISO 20
Mounting	acc. ISO 5211 Motor 25, 45, 75 Nm F05/F07 Motor 100, 150, 300 Nm F07/F10
Drive	Motor 25 Nm Female star 17 mm; conversion sleeves star 17/11 Motor 45, 75 Nm Female star 17 mm; conversion sleeves star 17/14 Motor 100, 150, 300 Nm Female star 22 mm; conversion sleeves star 22/17
Installation	Do not mount the actuator with the cover down (head over).

Technical data	
Limit switches	4 adjustables (2 for motor and 2 additional for feedback) max. 250 V AC/5 A
Manual override Motor 25, 45, 75 Nm Motor 100, 150, 300 Nm	By outgoing axis with return spring By hand wheel
Actuator standard signal (programmable) Input Output	- 0-10 V - 4-20 mA - 0-20 mA - 0-10 V - 4-20 mA - 0-20 mA
Mechanical limit stops	Standard
Visual position indicator	Standard
Material Cover, Housing Axis, screw Gear	Epoxy coated aluminium Stainless steel Stainless steel
Protection class	IP67
Ambient temperature	-20 up to + 70°C (at < +15 °C heating resistor is recommended)
Weight Motor 25, 45, 75 Nm Motor 100, 150, 300 Nm	4 kg 6 kg
Heating resistor	4 W (additional 10 W on request)
Options	Rotation 180° or 270° 3 position actuator (for 180°) Feedback On/Off actuators: - Potentiometer 1K, 5K, or 10K - Analog signal 4-20 mA Fail safe option* (on request) 2 extra limit switches

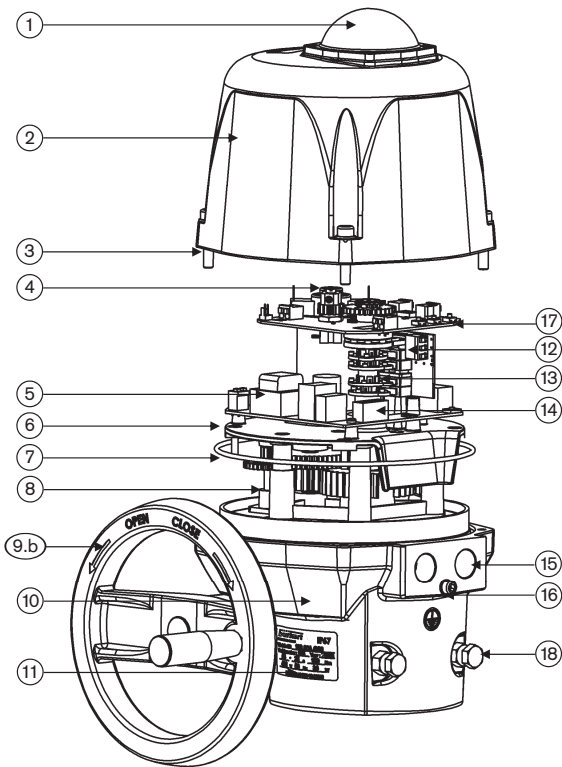
* For fail safe option : ATEX II 2 GD Ex d II B T5

Exploded view

Motor 25 - 45 - 75 Nm



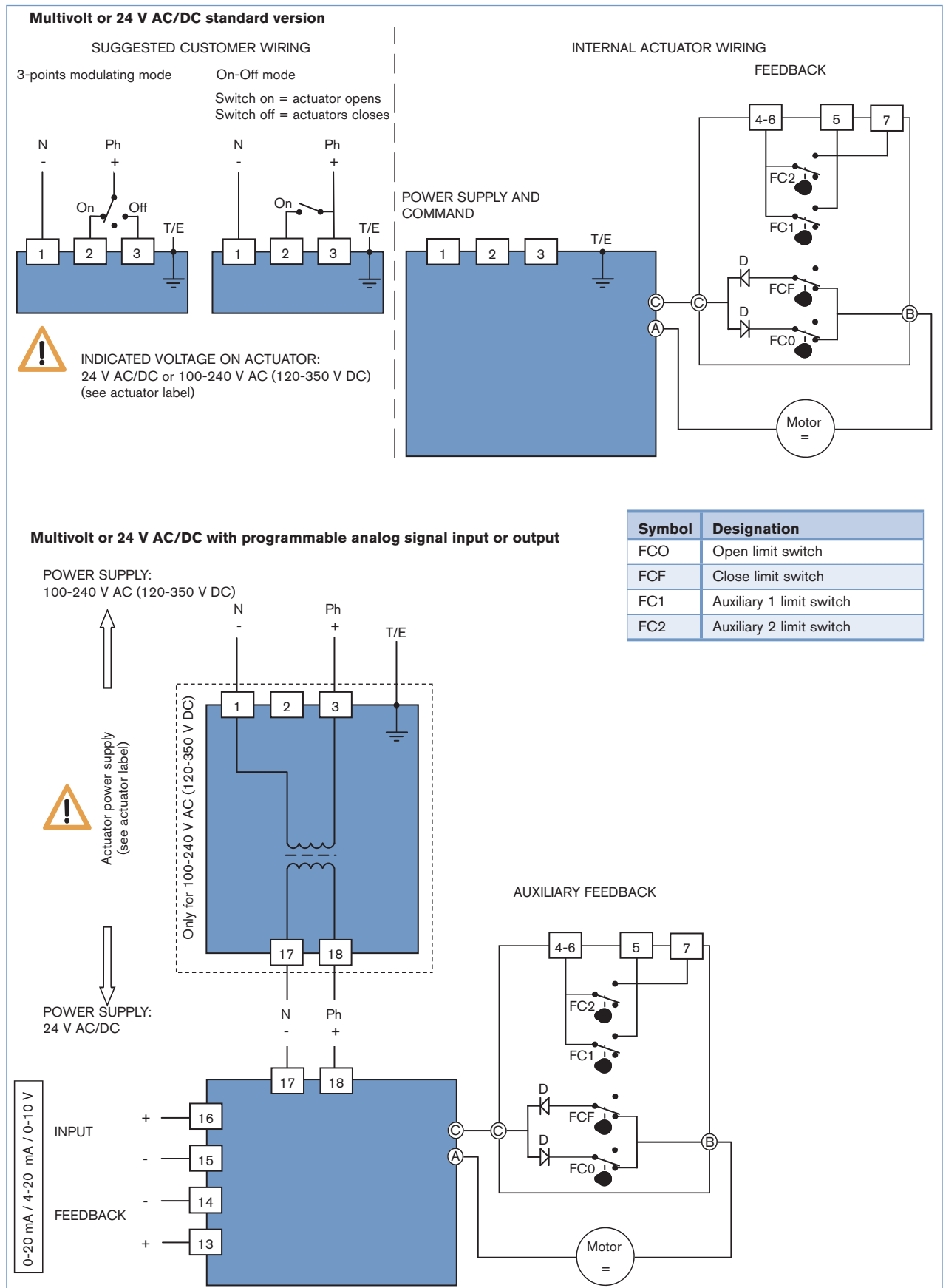
Motor 100 - 150 - 300 Nm



No.	Designation
1	Visual position indicator
2	Cover
3	Stainless steel screws
4	Motor
5*	power supply card
6	Gear box
7	O-ring
8	Gear
9.a	Manual override
9.b	Hand wheel
10	Housing
11	Identification label
12	Auxiliary limit switch terminal
13	Cams
14*	Power supply terminal
15	Internal thread M20 x 1.5
16	Earth screw
17	positioning card (only actuator with position control)
18	Mechanical limit stops

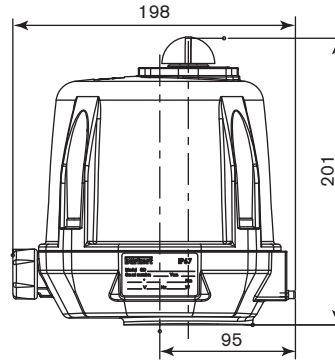
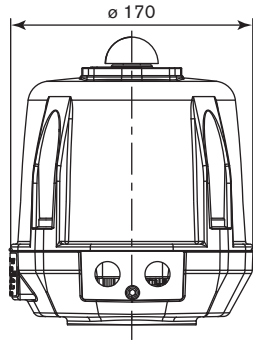
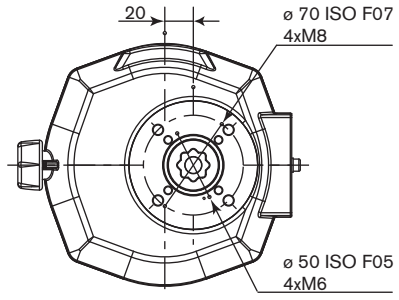
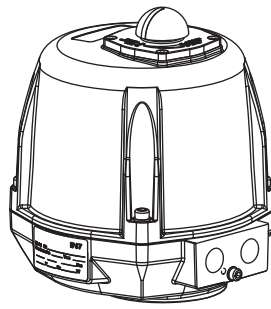
* Only for multivolt version

Electrical connections

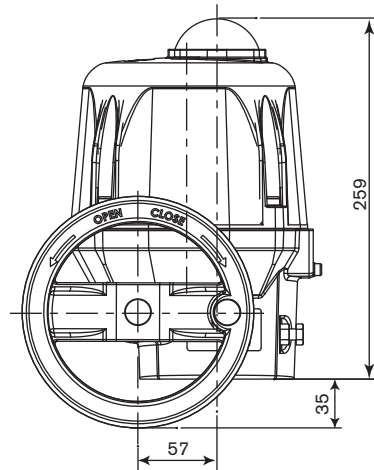
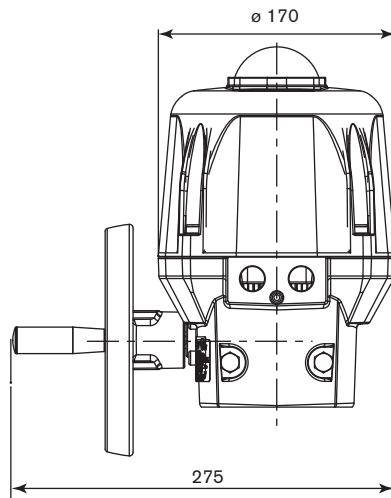
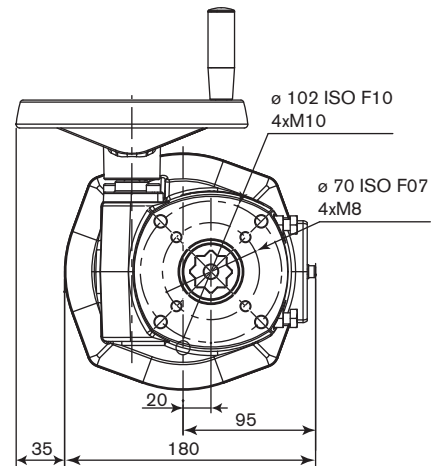
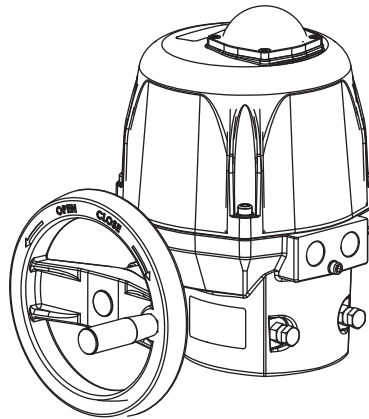


Dimensions [mm]

Motor 25 - 45 - 75 Nm



Motor 100 - 150 - 300 Nm



Ordering chart (other versions on request)

Standard version without control function

Drive stars [mm]	Conversion adapter star [mm]	Mounting flange	Torque [Nm]	90° travel [s]	Power consumption [W]	Voltage / Frequency [V / Hz]	Item no.
17	17/11	F05-F07	25	7	45	100-240 / 50-60	181 308
						24 AC / DC	181 309
	17/14		45	15	45	100-240 / 50-60	181 310
						24 AC / DC	181 311
			75	20	45	100-240 / 50-60	181 312
						24 AC / DC	181 313
22	22/17	F07-F10	100	15	45	100-240 / 50-60	181 314
						24 AC / DC	181 315
			150	30	85	100-240 / 50-60	181 316
						24 AC / DC	181 317
			300	50	85	100-240 / 50-60	181 318
						24 AC / DC	181 319

Positioner version with 4-20 mA, 0-20 mA or 0-10 V programmable analog signal input or output

Drive stars [mm]	Conversion adapter star [mm]	Mounting flange	Torque [Nm]	90° travel [s]	Power consumption [W]	Voltage / Frequency [V / Hz]	Item no.
17	17/11	F05-F07	25	15	45	100-240 / 50-60	182 324
						24 AC / DC	182 326
	17/14		45	15	45	100-240 / 50-60	182 327
						24 AC / DC	182 330
			75	20	45	100-240 / 50-60	182 335
						24 AC / DC	182 384
22	22/17	F07-F10	100	15	45	100-240 / 50-60	182 385
						24 AC / DC	182 386
			150	30	85	100-240 / 50-60	182 388
						24 AC / DC	182 390
			300	50	85	100-240 / 50-60	182 382
						24 AC / DC	182 394

Further versions on request

 **Voltage**
other power supply

Remark :

For the actuator choice, we recommend a safety torque equal to 1.5 times of the valve maximal torque (2 times for the positioner version).

Ordering chart accessories

Specifications	Item no.
Key to adjust limit switches	665 296
Conversion adapter star/square 14/9 mm	665 288
Conversion adapter star/square 14/11 mm	665 289
Conversion adapter star/star 22/14 mm	666 684
Conversion adapter star/star 22/17 mm	666 685
Conversion adapter square/square 17/14 mm	665 290
Conversion adapter external square 14/10 mm	668 234

To find your nearest Bürkert facility, click on the orange box →

www.burkert.com

In case of special application conditions,
please consult for advice.

We reserve the right to make technical changes without notice.
© Christian Bürkert GmbH & Co. KG

0901/3_EU-en_00891973