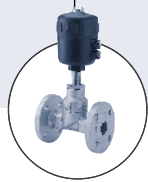




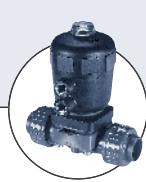
Type 8631 can be combined with...



**Type 2012**  
Globe valve



**Type 2000/2002**  
Angle-seat valve



**Type 2030/2031**  
Diaphragm valve

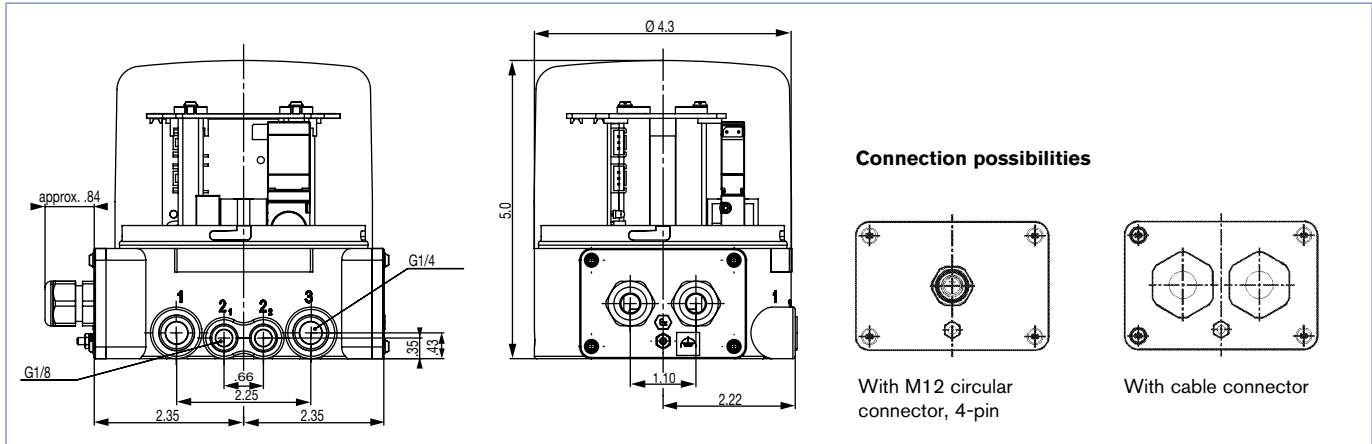
- Simple actuation of pneumatically operated process valves
- Direct mounting onto the valve actuator
- For single and double-acting actuators
- On/Off sensor switch and intermediate position
- Position indication and feedback

With the Type 8631 TopControl On/Off, pneumatically operated process valves, e.g., Burkert Types 2000, 2030, 2031 and 2031 K can be controlled. The TopControl On/Off and pneumatic actuator are linked together mechanically and are supplied as a complete unit (please order correspondingly).

Technical data	
<b>Body material</b>	PPE/PA
<b>Cover material</b>	PSU (transparent)
<b>Seal material</b>	NBR
<b>Control medium</b>	Quality class acc. to DIN ISO 8573-1
Dust content	Class 5 ( $\leq 40 \mu\text{m}$ particle size)
Particle density	Class 5 ( $\leq 10 \text{ mg/m}^3$ )
Pressure dew point	Class 3 ( $\leq -20^\circ\text{C}$ )
Oil concentration	Class 5 ( $\leq 1 \text{ mg/m}^3$ )
<b>Device variants</b>	For single and double-acting valve actuators
<b>Control air temperature</b>	14°F to 122°F (-10°C to +50°C)
<b>Operating temperature</b>	14°F to 122°F (-10°C to +50°C)
<b>Control air port</b>	G 1/4; NPT 1/4
<b>Compressed air</b>	45 to 100 PSI (3 to 7 bar ■)
<b>Position feedback option</b>	
24V version	inductive limit switch (proximity switch), position feedback via binary outputs (NO)
24V or 230V version	Mechanical limit switch, position feedback via binary outputs (NO or NC)
<b>Intelligent Communication circuit option ASI (AS-interface)</b>	Automatic reduction of the holding current for the solenoid valve, Zero flow detection
<b>Type 8631 without bus control</b>	
<b>Operating voltage</b>	24 V DC, 230 V AC on request
<b>Residual ripple with DC</b>	10%, not technical direct current!
<b>Voltage tolerance</b>	$\pm 10\%$
<b>Power consumption</b>	< 2W
<b>Protection class</b>	IP 65 according to EN 60529
<b>Type 8631 with bus control (ASI)</b>	
<b>Operating voltage</b>	29.5 to 31.6 V DC (via bus lines)
<b>Protection class</b>	IP 65 according to EN 60529
<b>Power consumption</b>	
maximum	120 mA
in normal operation	$\leq 80 \text{ mA}$
with reduced current	$\leq 50 \text{ mA}$
<b>Output</b>	
Contact rating	$\leq 1\text{W}$ via AS-interface
Watch-dog function	integrated
<b>Input</b>	
Sensor operating voltage	24 V $\pm 10\%$ (via AS-interface)
Acceptable current load	$\leq 60 \text{ mA}$ short circuit protected
Switching level High	$\geq 10 \text{ V}$
Input current High	limited to 6.5 mA
Input current Low	$\leq 1.5 \text{ mA}$

■ The supply pressure applied must lie 7 to 15 PSI (0.5 to 1 bar) above the minimum required control pressure of the valve actuator.

**Dimensions [inches]**



**Ordering chart for TopControl ON/OFF without process valve (other versions on request)**

For the convenient actuation or position feedback of process valves with pneumatic actuators;  
All models available for 24 V DC and with G 1/4 control air connections

Function	ASi-Communication	Type of feedback	Electrical connection	Item no.
Control single-acting actuators	without	2 mechanical limit switches	Cable connector	140 637
	with	2 inductive limit switches	Cable connector	142 021
			Multipol circular connector	142 594
Control double-acting actuators	without	2 mechanical limit switches	Cable connector	142 029
	with	2 inductive limit switches	Cable connector	142 031
			Multipol circular connector	142 045
Position feedback for single- and double-acting actuators, without control function	without	2 mechanical limit switches	Cable connector	146 643
	with	2 inductive limit switches	Multipol circular connector	146 642

**Ordering information for complete TopControl systems:**

A TopControl On/Off will only be supplied together with a process valve as a complete TopControl system.  
For the selection of a suitable process valve, please consult the data sheets for the Types 2000, 2012, 2030, 2031, 2031 K, 2652, 2655, 2658, 2672 and 2675.

**Information required for the ordering of a complete TopControl system**

- Item no. of the TopControl On/Off,
- Item no. of the selected process valve
- Remark "TopControl System"

Ordering chart for accessories	
Accessory	Item no.
M12 socket, 4-pin	917 116
G1/4 Silencer, bronze	780 786
G1/4 x 1/4NPT adapter	US-1053
G1/8 plug (port 2/2)	US61335

**Example of ordering complete TopControl On/Off systems**

Complete system	Process valve type (see Types)	ID No. process valve	TopControl	ID No. TopControl
SYST-	2XXX-	XXXXXX	8631-	XXXXXX

In case of special application conditions, please consult for advice.

We reserve the right to make technical changes without notice.

0602/1\_US-en